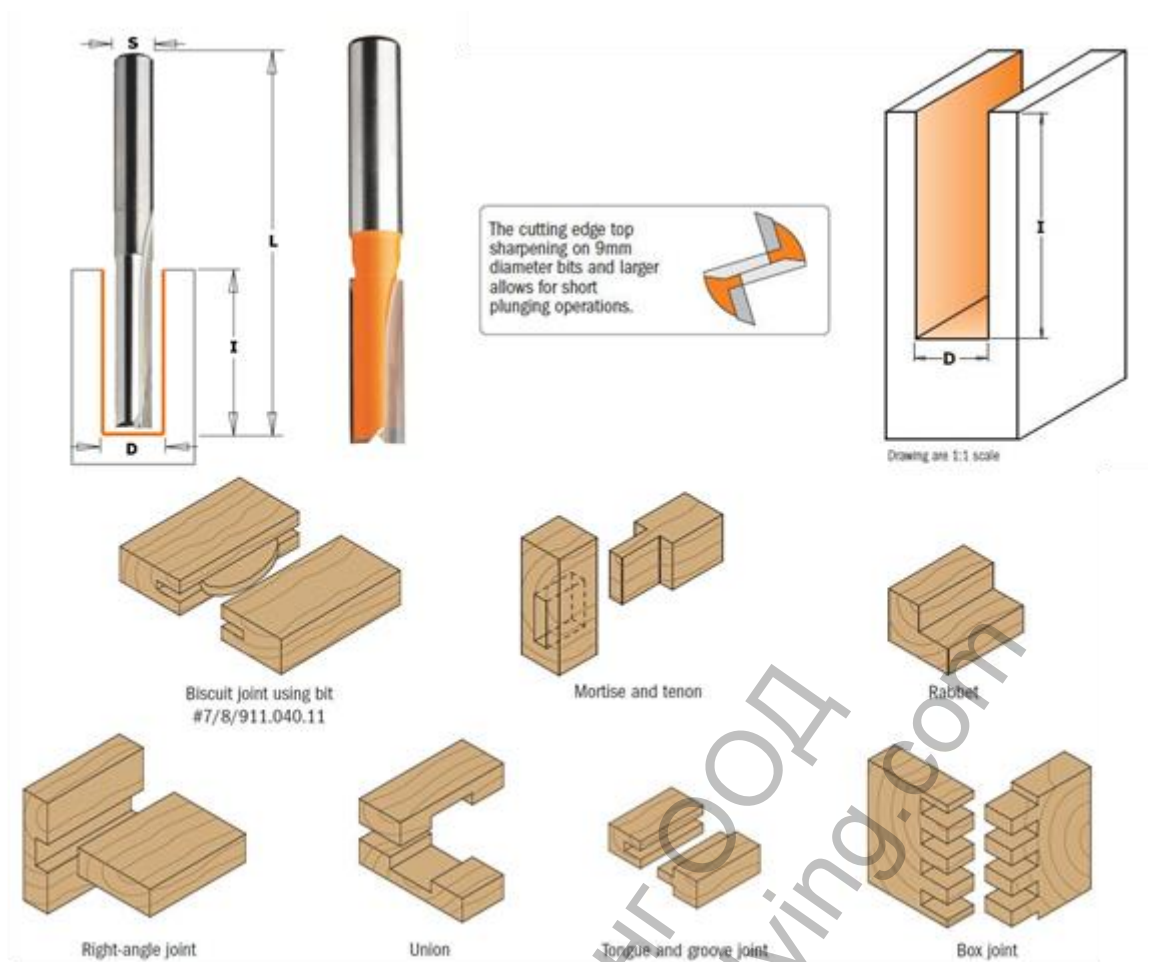


Фрезер СМТ за дърво профилен прав, без лагер $\varnothing 10 \times 31.7/60$
мм, $\varnothing 8$ мм, 912



Ташев-Галвинг ООД
www.tashev-galving.com



These razor-sharp, double-faced cutters perfectly synthesize the characteristics and advantages that define quality CMT products. Made of special Fatigue Proof® steel and micrograin carbide, our straight bits can withstand even the heaviest work load and still give you a smooth, precise cut every time. You also get exceptional chip ejection to allow cleaner and more constant cutting.

The surface of all CMT bits is protected with our trademark orange non-stick PTFE to help keep the bit from collecting resin, pitch and other residue.

Every bit is submitted to strict quality tests to guarantee perfect cutting tolerance, balance and concentricity. CMT bits allow production on an industrial scale using a variety of plywood, composites and natural woods.

CMT produces 91 types of straight bits in a wide range of diameters so you can find exactly what you want.

Safety precautions: never use damaged or worn bits. Always work at the proper feed rate without forcing the bit.

Pay particular attention when making the initial cut with a small diameter bit.

For best results when working with small diameter bits, make the cut in more than one pass.



Tungsten carbide
Tipped



Solid tungsten carbide



Two cutting

RH

D mm	I mm	L mm	ORDER NO. S=Ø6mm	ORDER NO. S=Ø6,35mm	ORDER NO. S=Ø8mm	ORDER NO. S=Ø12mm	ORDER NO. S=Ø12,7mm
• 3	11	60	712.030.11				
• 3,2	12,7	50,8		812.032.11			
• 4	12	60	712.040.11				
• 5	18	60	712.050.11				
• 6	25,4	60	712.060.11	812.060.11	912.060.11		
• 6,35	25,4	60		812.064.11			
• 8	31,7	60	712.080.11	812.080.11	912.080.11		
• 8	31,7	75				912.580.11	
9	31,7	75				912.590.11	
9,5	31,7	63,5		812.095.11			
9,5	31,7	73					812.595.11
10	31,7	60	712.100.11	812.100.11	912.100.11		
10	31,7	70					812.600.11
10	31,7	74				912.600.11	
11,1	31,7	82,5					812.611.11
12	31,7	60	712.120.11	812.120.11	912.120.11		
12	31,7	70					812.620.11
12	38,1	95				912.621.11	812.621.11
12	50,8	108				912.622.11	
12,7	31,7	70		812.127.11	912.127.11		
12,7	38,1	95					812.627.11
12,7	50,8	108					812.628.11
12,7	63,5	111					812.629.11
14	31,7	60	712.140.11	812.140.11	912.140.11		
14	31,7	70				912.640.11	
15	31,7	66	712.150.11	812.150.11	912.150.11		
15	31,7	70				912.650.11	
15,8	31,7	70		812.158.11			
16	31,7	66	712.160.11	812.160.11	912.160.11		
16	31,7	70				912.660.11	812.660.11
18	38,1	80				912.681.11	
19	38,1	82,5				912.690.11	812.690.11
19	50,8	92				912.691.11	812.691.11
20	38,1	80				912.701.11	
22	38,1	80				912.721.11	

Продукт: [Фрезер CMT за дърво профилен прав, без лагер ф 10x31.7/60 мм, ф 8 мм, 912](#)

Категория: [Консумативи за фрези и оберфрези](#)

Бранд: [CMT](#)

Категория бранд: [Фрезер CMT](#)